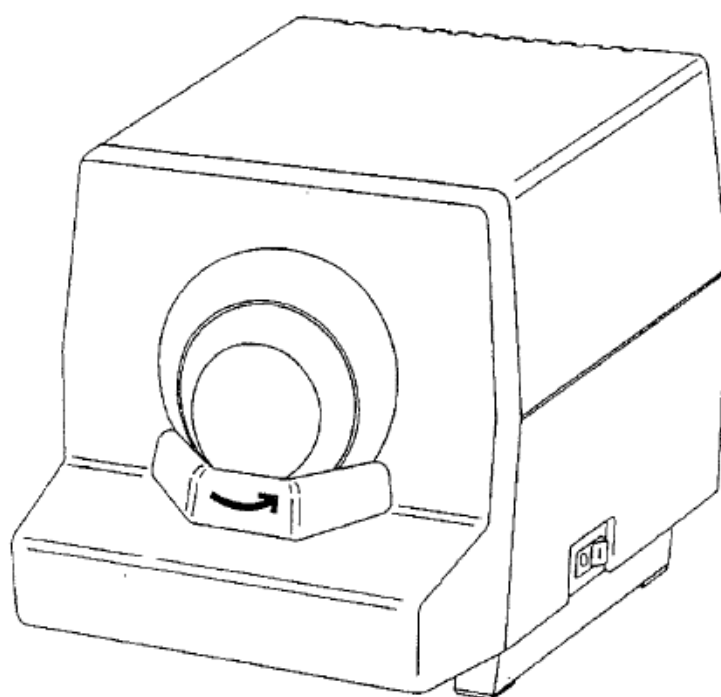


## Diafine



# Diafine

## INSTRUCTIONS

---

Reliable operation  
Description  
General characteristics  
Installation  
Operation  
Maintenance  
Electrical Diagram

---

### **Warning**

In order to reduce the risks of fire, electric shock and personal injury when using electric tools, it is recommended that you always observe the basic rules of safety, including the following precautions - read all of the instructions before you attempt to bring this machine into operation, and then keep these instructions in a safe place.

## Reliable operation

Keep your work area clean:

- Untidy working areas and benches lead to injury.

Take care of your working environment:

- Make sure that your work area is always well lit.
- Do not use the tools in the presence of inflammable gases or liquids.

Protect yourself from electric shocks:

- Avoid any contact between your body and surfaces which are connected to earth (ground).

Keep other people away from your work area:

- Do not allow people who are not involved with your work to touch your tools, the power-feed, or the extension cable, and keep them well away from your work area.

Always use the correct tool for the job:

- Do not use tools for unsuitable purposes.

Take care not to damage the power-feed cable:

- Never pull on the cable to unplug it from the mains supply. Keep the cable away from heat sources, greasy articles and sharp edges.

Look after your tools carefully:

- Keep cutting tools clean to ensure efficient and reliable use.
- Follow the instructions when changing accessories.
- Periodically check the power-feed cable, and have it replaced by a qualified technician if it is damaged.
- Periodically check power-feed extension leads, and replace them if they are damaged.

Disconnect the tools:

- When they are not in use, before maintenance, and when changing the accessories, always disconnect the tools from the power supply.

Avoid unexpected start-ups:

- Make sure that the power switch is off before connecting to the power source.

Stay vigilant:

- Take care with what you are doing, use common sense, and do not work when you are tired

## Reliable operation (cont'd)

Check any damaged parts:

- Before re-using the tool, it is recommended that you check it carefully in order to determine whether or not it is operating correctly and doing its job.

Check the alignment of parts in movement, the securing of parts in movement, the breakage of parts, the mounting of parts, and all of the other conditions which can affect the operation of the tool.

- It is recommended that all damaged parts be repaired correctly by qualified staff.

- Defective switches should be replaced by qualified personnel. Do not use any tool if its power switch no longer switches on or off  
Warning:

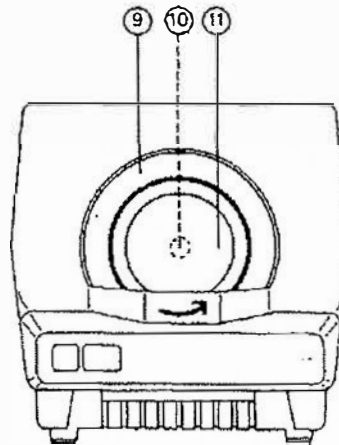
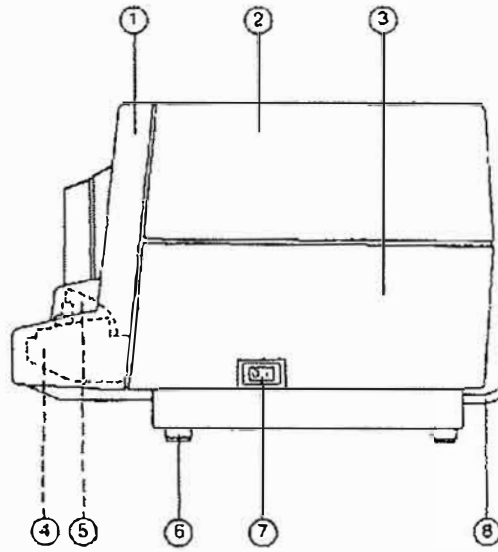
- The use of any accessory other than those recommended in the instructions can create a risk of personal injury.

Have the tool repaired by qualified staff:

- This electric tool conforms to the appropriate safety rules. It is recommended that repairs are always performed by qualified staff, using original parts. Otherwise, the tool can represent a considerable danger for its user.

# Description

- 1) Front Cover
- 2) Lid
- 3) Base
- 4) Water container
- 5) Sponge
- 6) Feet
- 7) Switch
- 8) Mains lead
- 9) Grinding wheel
- 10) Screw
- 11) Cap



## General characteristics

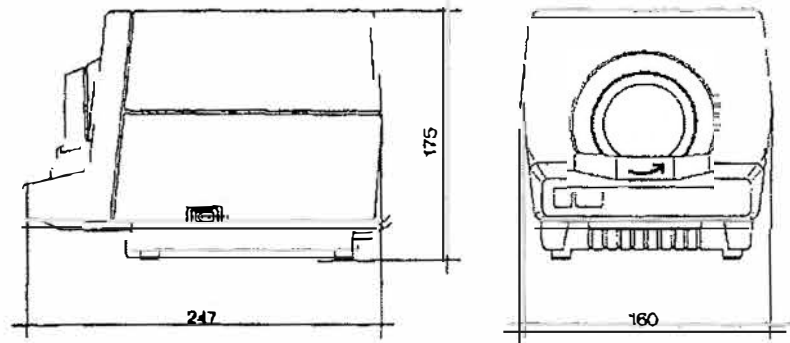
### Dimensions

The figures are shown in millimeters.

### Weight

Gross: 5.2 kg

Net: 4.6 kg



### Electrical specifications

– 230 V single phase 50 Hz.

– 115 V single phase 60 Hz.

This appliance must always be earthed. Be sure that the earth connection is genuine and efficient.

The appliance should be connected to a power socket which is protected by a fuse or a circuit-breaker rated at 16 amps maximum with a 30 mA differential trip.

### Limits of ambient conditions

The machine is designed to be used in a workshop on the premises of an optician. The acceptable range of ambient temperatures is +10 to +40°C.

### Sound level

75.2dBA (LAeq)

# Installation

## Work Bench

The Diafine Edger must be installed on a rigid, stable and horizontal work bench.

## Electrical Supply

- This appliance should only be used on the voltage shown on the label attached underneath.
- This appliance must always be earthed. Make sure the earthing is properly done and working.
- Plug in the mains lead, checking that the switch is on position 0 (Key marked 0 pushed in).

## Note

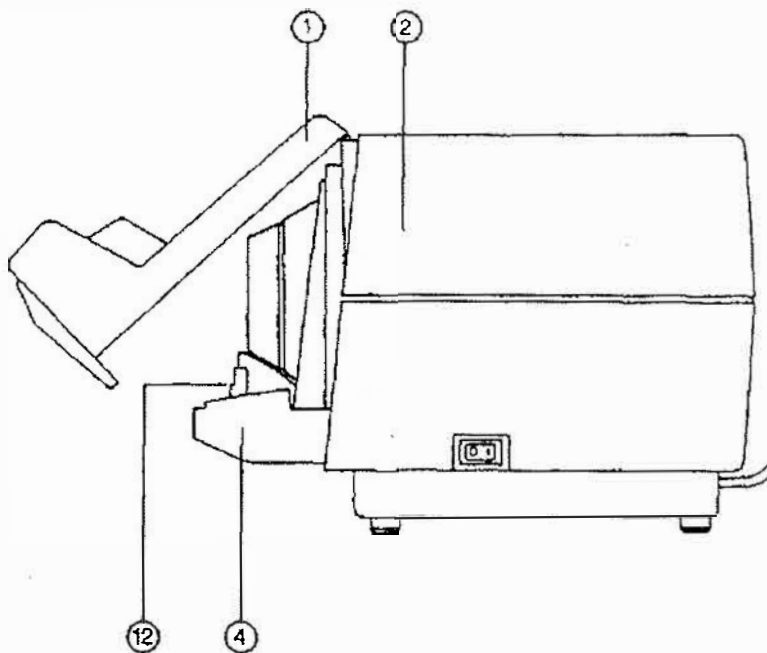
This edger does not require any connection to the water supply.

When using the edger for first time, remove the piece of foam located between the grinding wheel and the front of the edger.

## Operation

### Filling up the water container

- Take out the front cover 1. Swivel it round, then pull it up.
- Fill up the container 4 with water. Do not take it out, and do not go over the level shown by the guiding mark 12.
- Stretch out the soaked sponge, to ensure that the bottom of the container and the grinding wheel are always in contact.
- Put the front cover back in. Fit the top part into the groove which is to be found under the lid 2. Swing the cover down until it clicks into place.



### Warning

- Do not turn the edger upside down when the tank has been filled with water.
- To ensure that the grinding wheel is kept wet, clean and fill up the water tank daily.
- Polycarbonate polishing : The polycarbonate specialized Diafine is intended for polished lenses retouch. The lens to be retouched must be pushed more firmly on the Polycarbonate wheel than on a classical one. The quality of the polish is very dependent on the water film present on the grinder. It is therefore necessary to see to the cleanliness of the sponge, which becomes dirty very quickly, in order to guarantee a satisfactory result.

## Operation (cont'd)

### Rotating the wheel

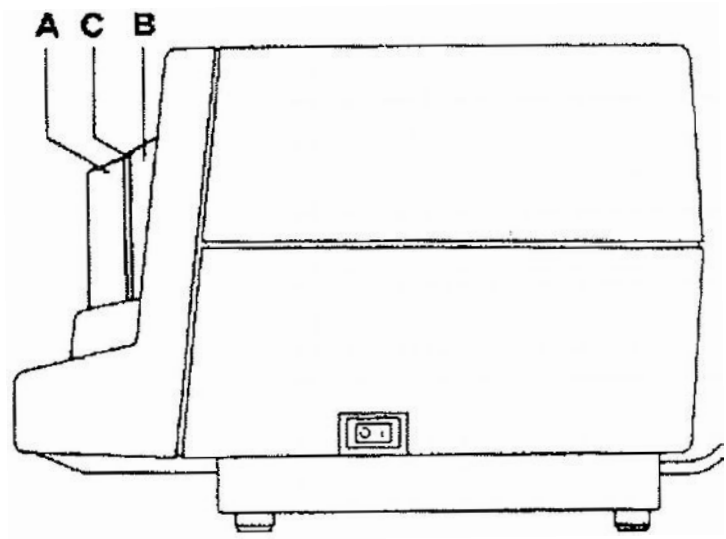
- Switch on the machine.

### Chamfering

- It is better to chamfer the lens on band A.

### Touching up the lens edge

- Mini-bevel  
To touch up a mini-bevel, use groove C, with the concave side towards the operator.
- V edge  
To touch up a V edge (thin lens), use band B.





## Maintenance

### WARNING!

When cleaning the machine, be sure to disconnect it from the mains supply first.

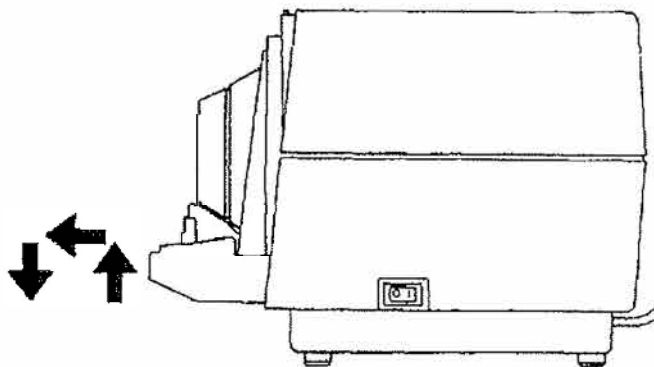
### Cleaning

Do not use any abrasive substance.

Lid, base, front cover: clean with a wet sponge and dry with a cloth.

The front cover can be taken out and cleaned under the tap.

Container, sponge: to take out the container, pull it up, then towards you, and release it downwards. Clean under the tap.



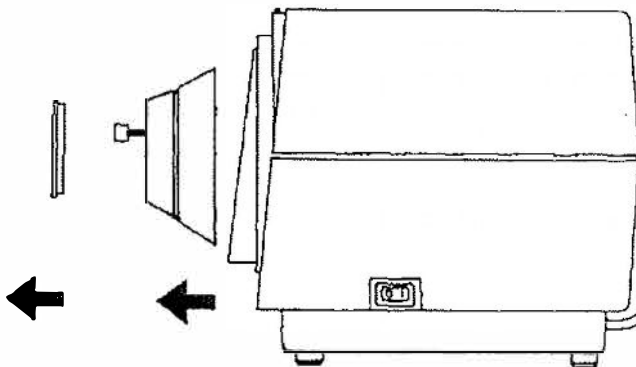
### Warning

Do not clean the wheel, to avoid damaging it.

### Changing the wheel

- Take out the cap.
- Undo the screw
- Screw partly back together in one of the tapped holes.
- Pull the wheel out towards you.

When you put the wheel back in, oil the motor spindle.



### Electrical servicing


All repairs concerning the electrical parts of the machine must be carried out by the manufacturer.

## Maintenance (cont'd)

### Servicing the special "Polycarbonate" grinder

- Sharpening will be suggested when it becomes difficult to obtain a satisfactory polish on the edges of lenses.
- Only the sharpening rod referenced CX5030 should be used.
- Stoning must be performed under a spray.
- Stoning should be performed flat and over the whole of the profile.
- Stone a maximum equivalent to a 2 mm length of the sharpening rod.

**Important:** Do not machine mineral glasses on this grinder.

This equipment complies with  
 CE marking



**Essilor Instruments USA**  
8600 W. Catalpa Avenue, Suite 703  
Chicago, IL 60656  
Phone: 855.393.4647  
Email: [info@essilorinstrumentsusa.com](mailto:info@essilorinstrumentsusa.com)  
[www.essilorinstrumentsusa.com](http://www.essilorinstrumentsusa.com)